



Beat more burglars with the only security mesh that's screw-clamped™!

Doors

Hinged Safe-S-Capes™

Windows

Patio Enclosures

Cyclone
Resistance

Safe-S-Capes®

- Single Sliding
- Double & Triple Sliding
- Inswinging

Commercial
Systems

Balustrade &
Pool Fencing

Fire
Attenuation

Security with peace of mind...

Crimsafe's unique Safe-S-Cape™ is a keyless exit system. It lets you quickly exit in a fire or other emergency, but is just as hard to penetrate as all our other products because it features Crimsafe's screw-clamped mesh as well as a triple "antijemmy" design that protects the lock.

Hinged Safe-S-Capes are hinged either along their sides or at the top, to swing outwards. They have a full-length hinge and full length locking stile that, when lightly pressed, releases along its entire length. With its one-touch and push release, even a small child can operate a Hinged Safe-S-Cape.

[More about Hinged Safe-S-Capes overleaf...](#)



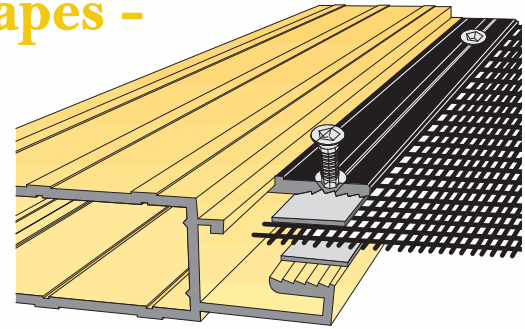


Applications -

These are window-types that can utilise Hinged Safe-S-Capes

- Single and Multi-Panel Sliding Windows
- Double Hung Windows
- Lap Louvre
- Fixed and Sliding Combinations

Features & Benefits of Hinged Safe-S-Capes -



Only Crimsafe drives a screw right through mesh and frame - for unbeatable strength



Keyless Exit, and Quick Release

Peace of mind, knowing that in an emergency you can get out of the house fast thanks to the one-touch and push release.

Full Length Locking Stile

Increased strength due to continuous contact with the frame.

Full Length Integrated Hinge

Means no sagging and increased resistance under attack.

Three-tier Anti Jemmy System

A burglar must get through 3 physical barriers to get at the Safe-S-Cape's lock.

Easy Access to Window Surface

Crimsafe panel swings away from the exterior window surface, enabling easy cleaning.

Easy Installation

A Hinged Safe-S-Cape can easily be face-fitted or pocket-fixed to many windows.

Smaller Frame Sections

Boasting the strength of door frames, but with a smaller frame width.

Screw-Clamped Security

Only Crimsafe clamps 304 Tensile Tuff Security Mesh between 2 serrated pieces of metal, then drives a screw right through both mesh and frame to ensure a vice-like grip...and beat burglars.

Tamper-Resistant screws

Exclusive to Crimsafe. Screws can only be applied or removed by a tool registered with Crimsafe. This ensures the integrity of your security system.

Custom Built

Means a perfectly fitted job. Product can be made to fit the exact shape of your window.

Enhanced Lifestyle

Crimsafe provides unhindered views, keeps out mosquitoes, and lets you keep a cool, safe house in Summer.

Blocks Out at least 30% of UV Rays

Means a longer life for interior furnishings.

Blocks Heat Transfer

Improves the energy rating of glass windows and keeps home cooler in Summer and warmer in Winter.

Passes Australian Standards

Crimsafe always exceeds the relevant Australian and Industry Standards for security.

Full Range of Colours

Crimsafe stocks a full range of standard colours so that the system you buy complements your home. Other colours are available on request.

Guaranteed for 10 years

Crimsafe warrants the product from defects in materials under the conditions of normal use for up to 10 years from the date of purchase. Please refer to our Care Guide for more information.

Contact your local Licensee today:

Visit www.crimsafe.com.au



Crimsafe - Major Partners of Crime Stoppers Queensland