



**Beat more burglars with the only security mesh that's screw-clamped™!**

Patio Enclosures

# Fixed Windows

Doors

Cyclone Resistance

Safe-S-Capes®

- Single Sliding
- Double & Triple Sliding
- Hinged
- Inswinging

Commercial Systems

Balustrade & Pool Fencing

Fire Attenuation



## Crimsafe windows are attractive and strong...

Crimsafe Fixed Window Panels are non-moving panels that can be face-fitted, reveal-fitted using our angled frame, or they can be fixed in the flyscreen track.

All Crimsafe windows use the unique screw-clamp™ system... tamper-resistant screws go through a metal clamp, then through the

Tensile Tuff® mesh and then they're driven right into the frame, to hold the mesh in a "vice-like" grip which gives the window enormous strength against attack.

Our windows exceed Australian standards, rather than merely meeting them.

[More about windows overleaf...](#)

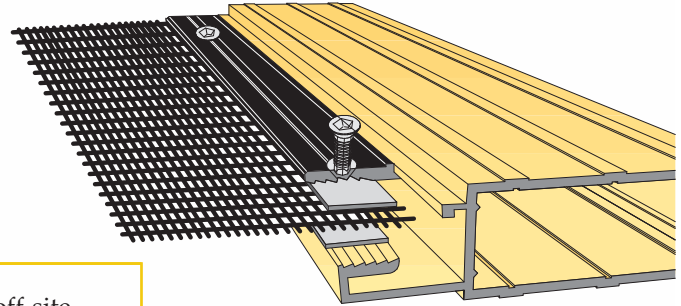




## Applications -

These window-types can utilise Crimsafe Fixed Window Panels:

- Sliding Windows
- Double Hung Windows
- Louvres
- Lap Louvres



*Only Crimsafe drives a screw right through mesh and frame – for unbeatable strength*

## Features & Benefits of Crimsafe Fixed Window Products -

Easy Installation	Crimsafe Security System products are custom built off-site then quickly assembled at your home. Our fixed window panels are easy to install.
Smaller Frame Sections	Boasting the strength of door frames, but with a smaller frame width.
Slimline Design	Heavy duty protection without heavy duty looks – a cross-section reveals the frame is only 11mm thick and 35mm wide.
Screw-Clamped™ Security	Only Crimsafe clamps 304 Tensile Tuff® Security Mesh between 2 serrated pieces of metal, then drives a screw right through both mesh and frame to ensure a vice-like grip...and beat burglars.
Tamper-Resistant screws	Exclusive to Crimsafe. Screws can only be applied or removed by a tool registered with Crimsafe. This ensures the integrity of your security system.
Custom Built	Means a perfectly fitted job. Product can be made to fit the design and format of your windows.
Enhanced Lifestyle	Crimsafe provides unhindered views, keeps out mosquitoes, and lets you keep a cool, safe house in Summer.
Blocks Out at least 30% of UV Rays	Means a longer life for interior furnishings.
Blocks Heat Transfer	Improves the Energy Rating of glass doors and keeps home cooler in Summer and warmer in Winter.
Passes Australian Standards	Crimsafe always exceeds the relevant Australian and Industry Standards for security.
Full Range of Colours	Crimsafe stocks a full range of standard colours so that the system you buy complements your home. Other colours are available on request.
Guaranteed for 10 years	Crimsafe warrants the product from defects in materials under the conditions of normal use for up to 10 years from the date of purchase. Please refer to our Care Guide for more information.



Contact your local Licensee today:

Visit [www.crimsafe.com.au](http://www.crimsafe.com.au)



Crimsafe – Major Partners of Crime Stoppers Queensland